

**Single Wide Unassembled Double Tier  
Locker Units With or Without Legs**

RETAIN INSTRUCTIONS FOR FUTURE REFERENCE

.....



**GENERAL SAFETY INFORMATION**

Some parts may have sharp edges. CARE must be taken when handling various pieces to avoid injury. For safety, wear a pair of work gloves when assembling or performing any maintenance on units.

.....

**LIMITED WARRANTY**

Tennsco warrants goods purchased hereunder to be free of defects in materials and workmanship for a period of one (1) year from the date of shipment, hereunder. This warranty shall not apply in the event goods are damaged as a result of misuse, abuse, neglect, accident, improper application, modification or repair by persons not authorized by Seller, where goods are damaged during shipment, or where the date stamps on the goods have been defaced, modified or removed. UNLESS CONSIDERED UNENFORCEABLE OR UNLAWFUL UNDER APPLICABLE LAW:

- a. ALL IMPLIED WARRANTIES, INCLUDING BUT NOT LIMITED TO WARRANTIES OR MERCHANTABILITY AND FITNESS FOR A PARTICULAR PURPOSE ARE HEREBY EXCLUDED:
- b. BUYERS REMEDY, IF ANY, FOR ANY DEFECTIVE GOODS SHALL BE LIMITED TO A REFUND BY SELLER OR REPLACEMENT OF THE GOODS AT SELLER'S OPTION, AND SHALL IN NO EVENT INCLUDE DAMAGES OF ANY KIND, WHETHER INCIDENTAL, CONSEQUENTIAL OR OTHERWISE.

NO GOODS ACCEPTED FOR RETURN WITHOUT PRIOR APPROVAL. Seller shall have the right to inspect any goods claimed to be defective at Buyers place of business or require Buyer to return the goods to Seller for inspection on Seller's premises. Transportation charges covering returned goods will be borne by Seller only if such goods are proven to be defective, are covered by this warranty and are returned within the warranty period stated above.

.....



**PROUDLY MADE IN THE U.S.A.**

Tennsco LLC., Dickson, TN 37056-1888 • (866) 446-8686

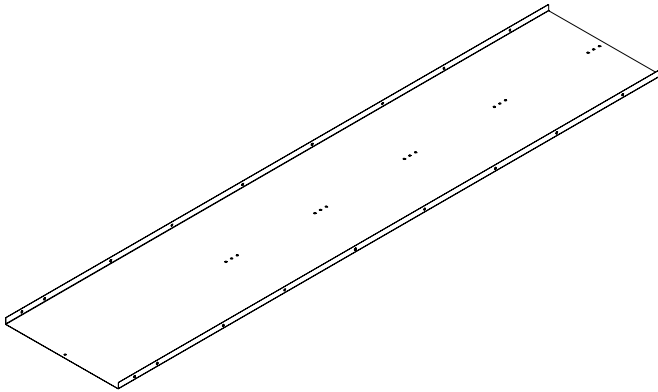
# ASSEMBLY OF ONE WIDE DOUBLE TIER LOCKERS

**Tools Needed:** A provided 1<sup>1</sup>/<sub>32</sub>" nut driver (1<sup>1</sup>/<sub>32</sub>" socket may be substituted).

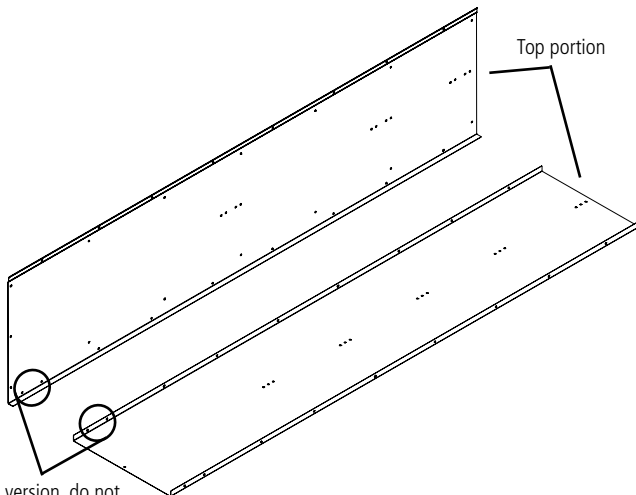
Two people are recommended for assembly. Approximate assembly time: 40-50 minutes.

1. The reference numbers used throughout this sheet refer to the illustration on the back cover. This is to help you to identify the various parts as they are mentioned.

2. Place the back (Ref. No. 1) on a protected flat surface so that the flanges face upward. If available, place the unit on a pair of saw horses for easier assembly.

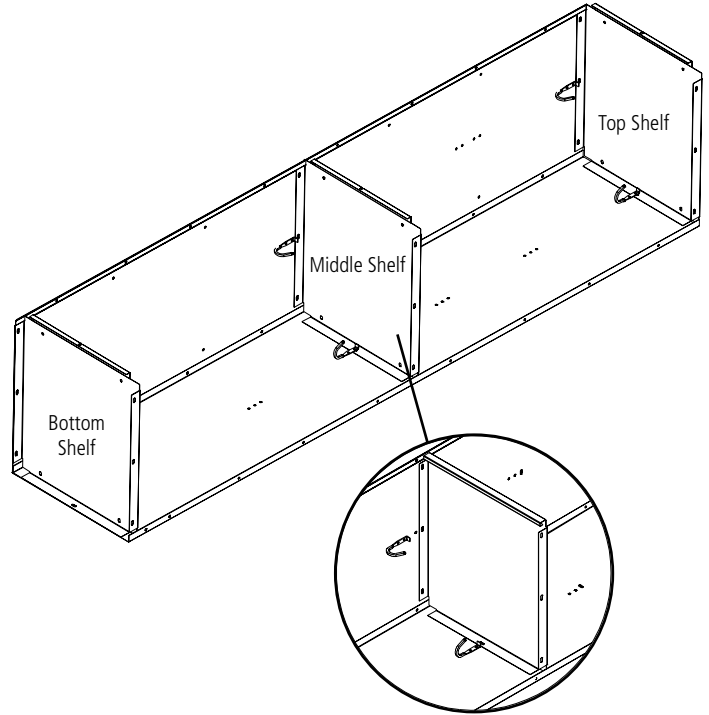


3. Bolt the left side (Ref. No. 2) to the back so that the side flange fits around back using seven bolts and nuts (Ref. No. 20) placing the nuts on the inside of the locker, if assembling a locker with legs. If assembling a locker without legs, use nine nuts and bolts.

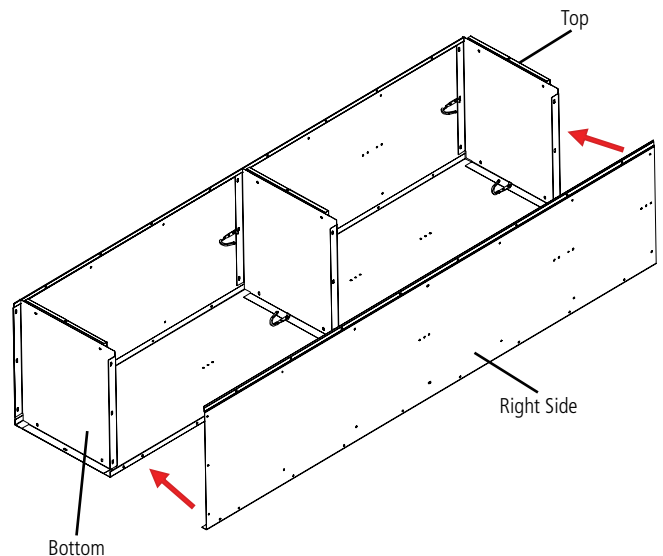


If leg version, do not bolt through bottom two holes yet.

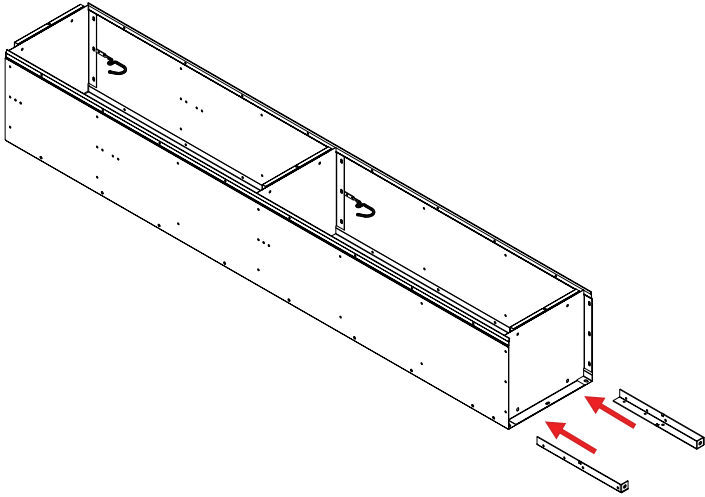
4. Bolt the top, middle and bottom (Ref. No. 4) to the back and side using four bolts and nuts each. Coat hooks will need to be attached over the flange of the shelves as shown. Use two bolts and nuts per each coat hook.



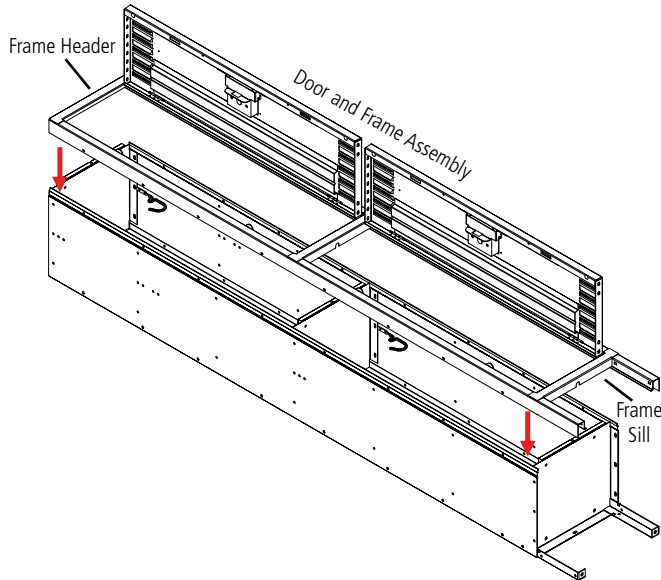
5. Bolt the right side (Ref. No. 6) to the back so that the side flange fits around the back also attaching to the top, middle and bottom shelves using thirteen nuts and bolts if the locker has no legs and fifteen nuts and bolts for a locker with legs. Attach the remaining hooks to the right side over the flange of the shelves using two nuts and bolts on each hook.



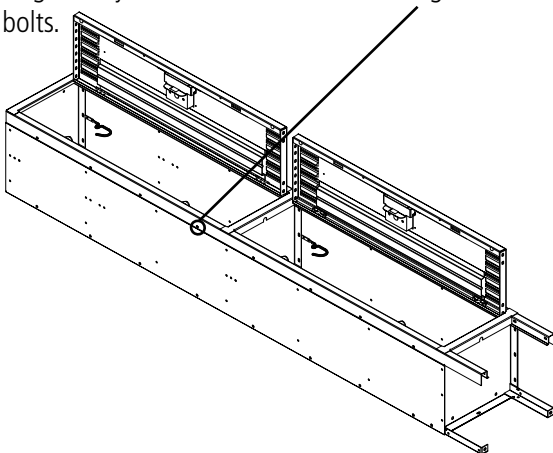
6. If the locker has legs, insert the leg into the corner between the bottom and the side. Bolt the leg to the side using two bolts and nuts.



7. Place the door and frame assembly (Ref. No. 7) over the locker body. Make certain that body sides are inside frames.

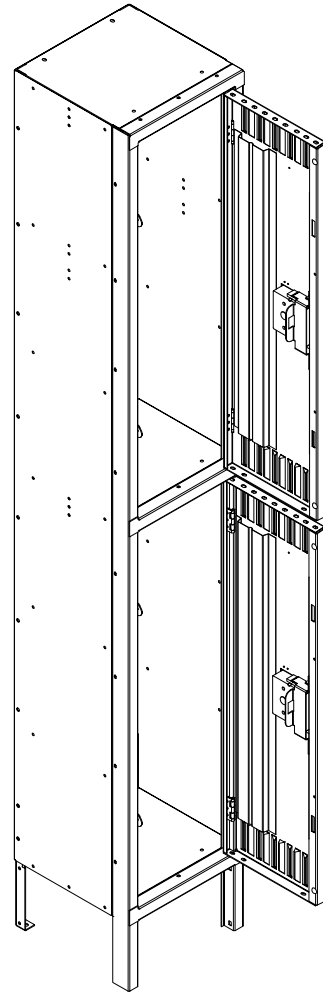


8. If joining units side by side, temporarily install only one bolt and nut in the frame(s) that will be joined to the adjacent locker frame(s). If locker is just a single unit, finish attaching the frame using twenty bolts and nuts. Check and tighten all permanent bolts.



9. Stand the unit upright and place in the desired location. Remove temporary bolts in frames and bolt to adjacent units together through frames.

**NOTE: If the temporary bolts are not removed before the frames are joined side by side, the frames will have a 1/8" gap between them.**



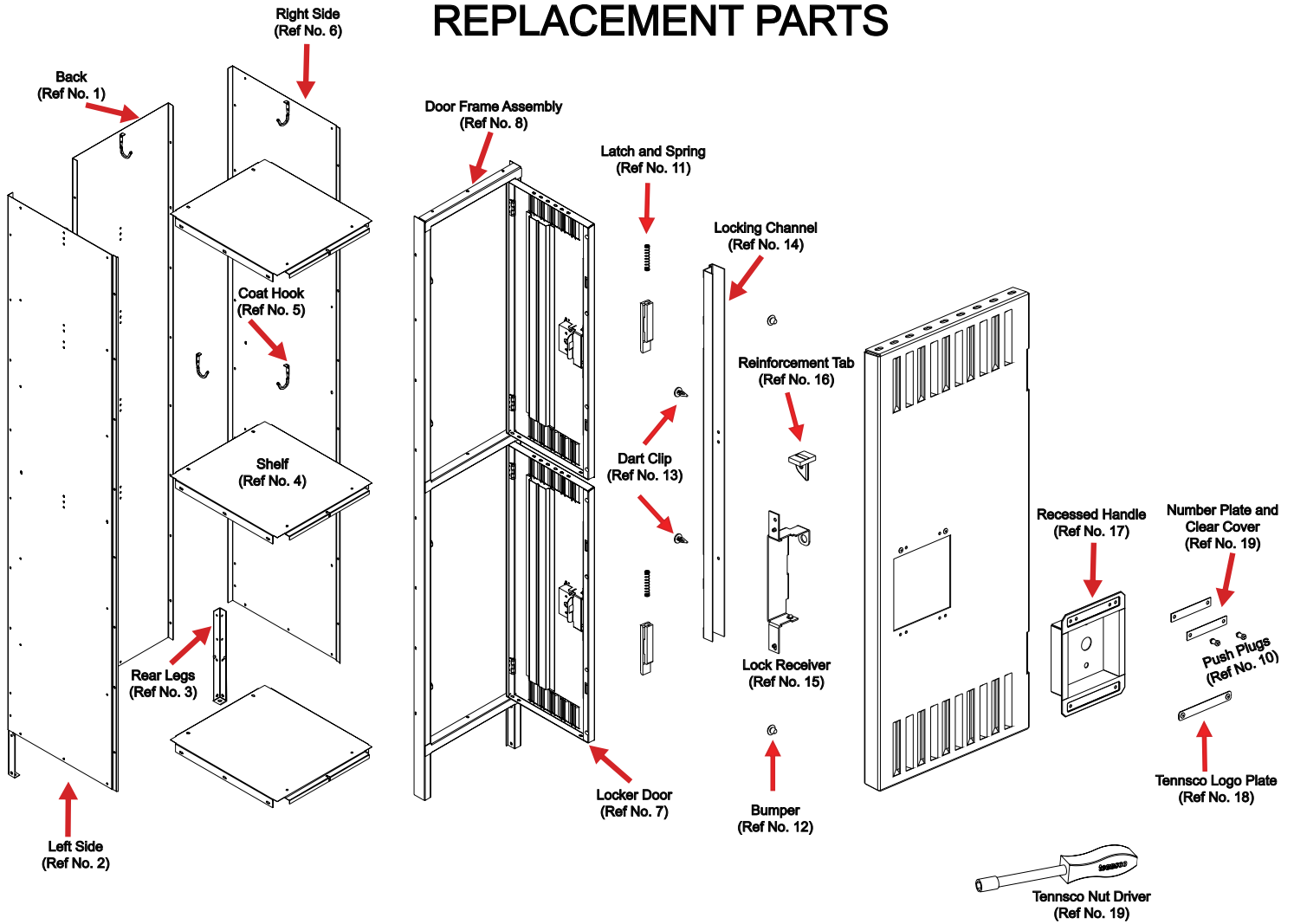
10. Anchor units to wall or floor. The units are not intended to stand free and may topple if not secured. Units standing back to back should be bolted back to back.

**NOTE: Care must be taken to assure that lockers are set plumb and level before anchoring.**

11. If units are not pre-numbered, optional number plates and plastic covers (Ref. No. 9) may be attached using push plugs (Ref. No. 10). Tennsco name plate (Ref. No. 18) is installed at the factory. As an alternative, custom number or name plates may be ordered from the factory. Your locker is complete.

12. If additional accessories were purchased such as End Bases/ Front Bases (for lockers with legs), Closed Bases (for lockers without legs), Slopping Tops, and/or Combination Locks or Grooved Key Locks, please see the instructions that came along with those parts for installation.

# REPLACEMENT PARTS



REF. NO.	DESCRIPTION	QTY.	PART NO.
1	Back	1	LSTB-wwhh
2	Left Side	1	LSSL-ddhh
3	Rear Leg	2	LRL-1
4	Shelves	3	LTB-wwdd
5	Coat Hook*	6	LCH-1
6	Right Side	1	LSSR-ddhh
7	Locker Door	9	LDTD-wwhh
8	Door Frame Assembly	3	LDFA-wwhh-x
9	Number Plate and Clear Cover*	2	LNP-3CP
10	Push Plug*	4	LPP-1

REF. NO.	DESCRIPTION	QTY.	PART NO.
11	Latch and Spring	4	LL-3
12	Bumper	4	LB-1
13	Dart Clip	4	LDC-1
14	Locking Channel	2	LLCA-2
15	Lock Receiver	2	LPR-2
16	Reinforcement Tab	2	LRT-1
17	Recessed Handle - Painted Steel	2	LRH-2
18	Tensco Logo Plate	2	LPN-2
19	Tensco Nut Driver*	1	TOOL-2
20	#8-32 x 1/2" bolts/nuts* (not shown)	64	**

\*These items are included in the hardware pack enclosed (Part No. HWDTK1).

\*\*Available Locally

Part No. is composed of prefix shown plus combination of opening or unit. Width = ww, Depth = dd, and Height = hh.

Door Frame assemblies require a further suffix (x) of either 1 or A. "1" indicates frame with legs; "A" indicates frame without legs. For example: A door frame assembly for locker DTK-151536-1 (with legs) would be Part No. LDFA-1572-1. The door assembly alone without the frame for the same locker would be Part No. LDTD-1536.

NOTE: Additional hardware may be included for replacement purposes.

Tensco makes every effort to ensure that all units ship complete with all parts and arrive undamaged. However, should your unit contain missing or damaged parts, please contact your purchase location.